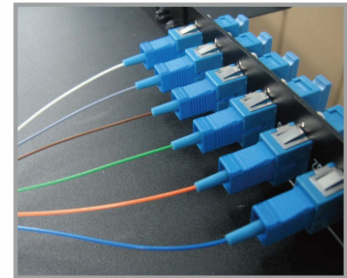
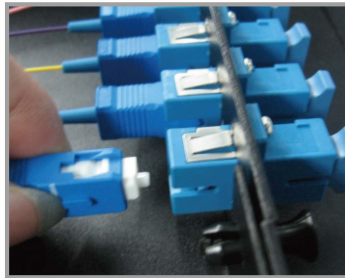
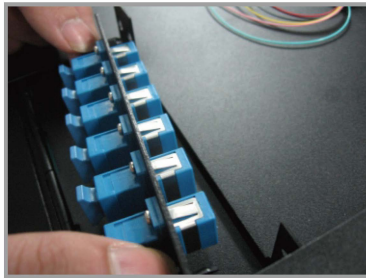


POINT 2 POINT

P2P-WM1P

Features

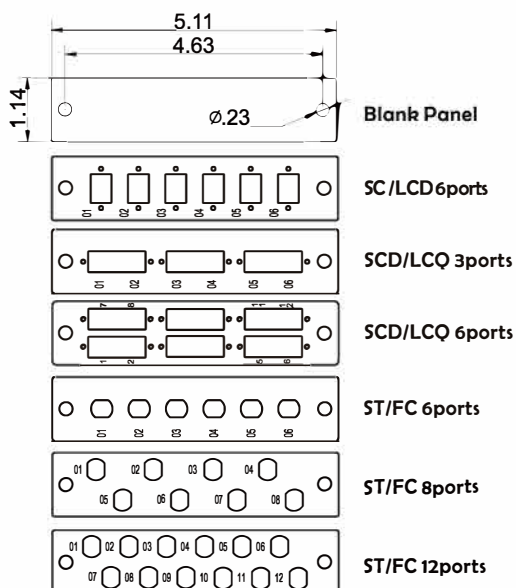
- Max capacity is 24 "Fibers" by using 1 adapter panels of 6 ports LC Quad;
Max capacity is 12 "Fibers" by using 1 adapter panels of 6 ports SC Duplex;
Max capacity is 12 "Fibers" by using 1 adapter panels of 12 ports ST/FC.
- RAL7035 or RAL9005, and RoHS compliant.
- One unit per package which is in 9.65*9.06*4.33 inches.
- Weight is 2.5 lbs after packaged.



Application

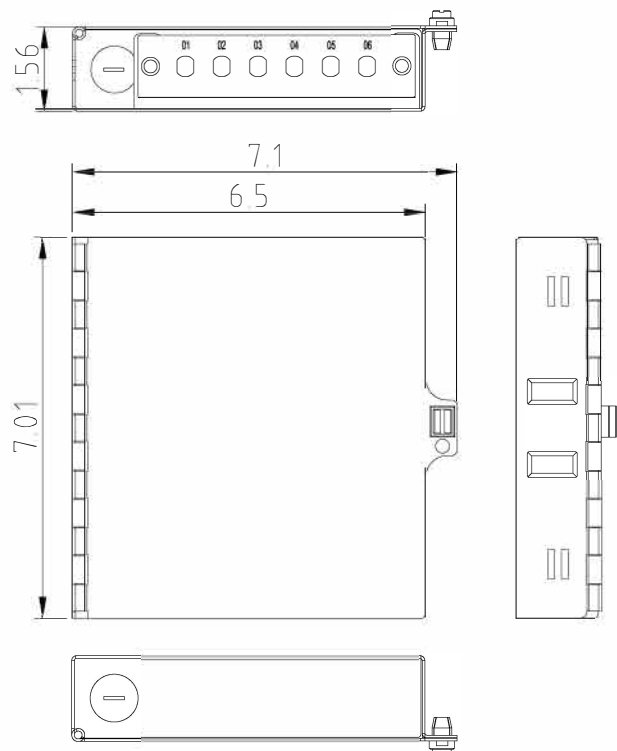
Dimension For Body and Panel

Other panel plate

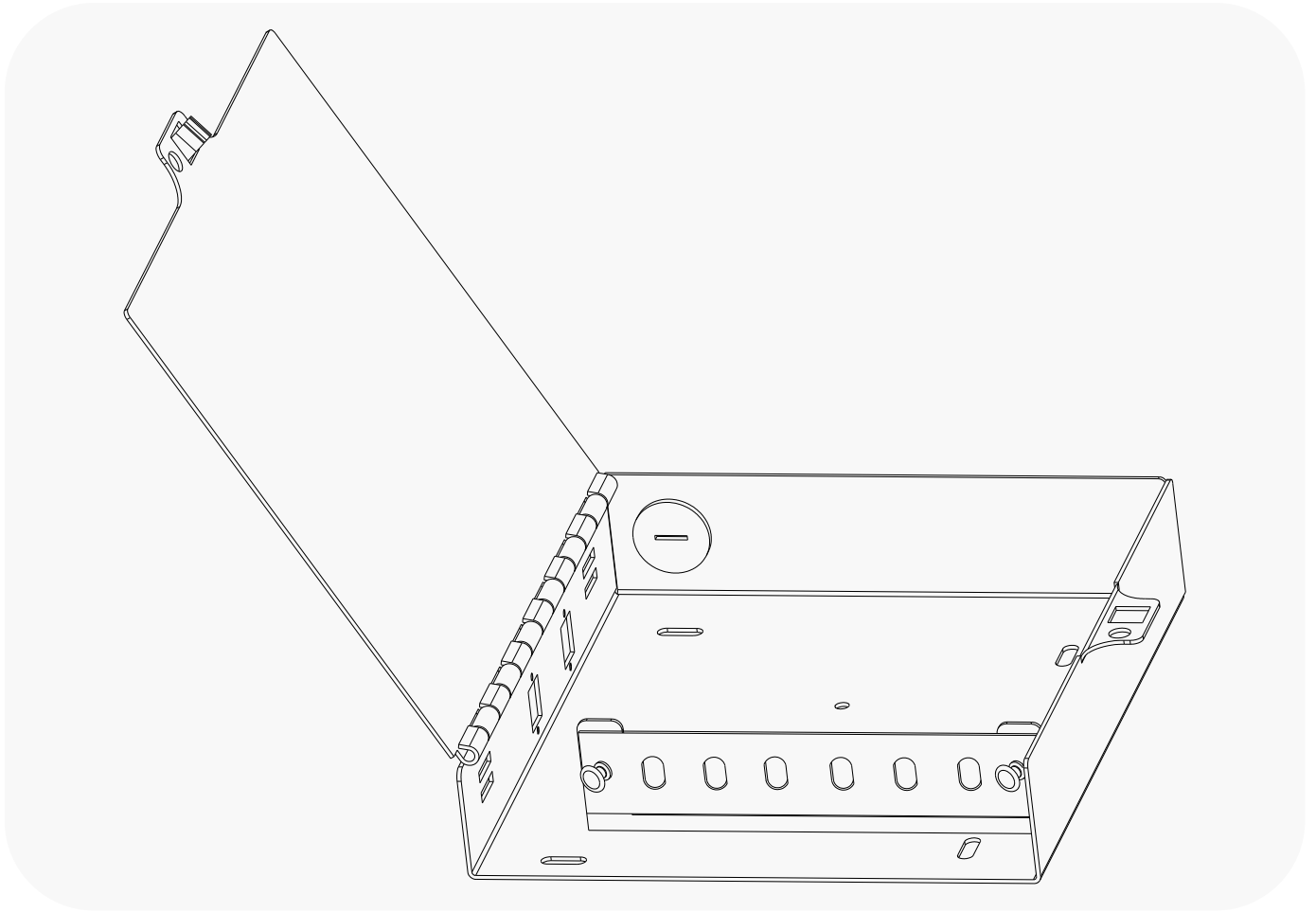


Machine performance

• Dimension



Assembly



Included Accessories



Radiation sticker



4" plastic tie wraps

PORT IDENTIFICATION					
1	2	3	4	5	6
7	8	9	10	11	12

Port identification labels



2" cable managers with adhesive bottom

STANDARD CONFIGURATION

WC-WM01P

Description	Number
4" plastic tie wraps	4
Radiation sticker	1
2" cable managers with adhesive bottom	4
Port identification labels	1